

GFH-100-M Concealed Lever Pull

Features

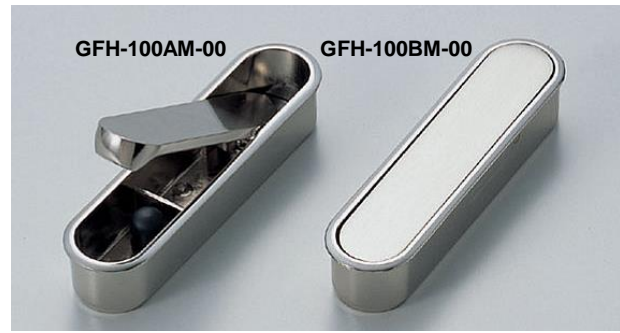
- **GAM type:** Lever held at multiple opening position
- **GBM type:** Lever held closed by spring
- Use bracket for sheet metal applications
- Door thickness: min. 25 mm

Material

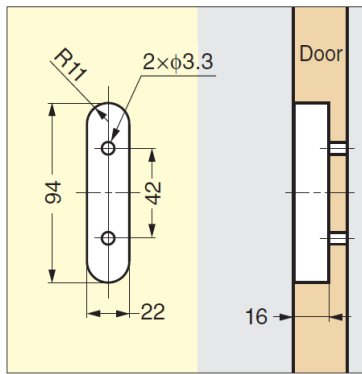
- Body: Zinc alloy, nickel finish
- Handle: Zinc alloy, satin nickel finish

Parts Included

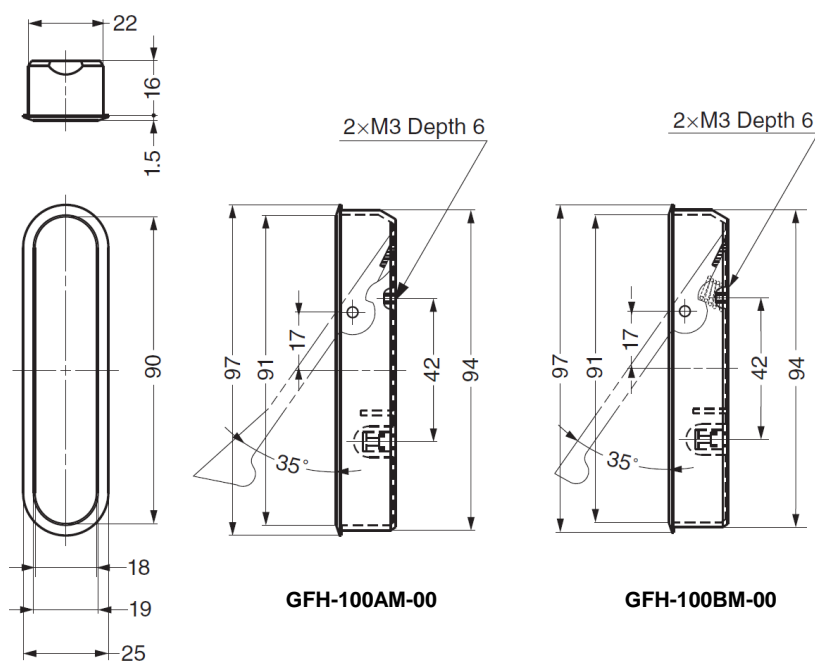
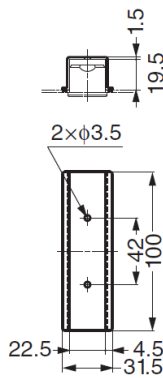
- Truss head screw M3×14



Cut Out Dimensions



Bracket for Sheet Metal (Example)



Part No.	Description
GFH-100AM-00	Lever held at multiple opening position
GFH-100BM-00	Lever held closed by spring